



DNH

HEAD OFFICE, NORWAY

DNH AS

Phone..... + 47 35 98 56 00

Fax..... + 47 35 98 56 10

E-mail..... dnh@dnh.no

Web-Site..... www.dnh.no

ENGLAND

DNH WW Ltd

Phone..... + 44 1908 275 000

Fax..... + 44 1908 275 100

E-mail..... dnh@dnh.co.uk

GERMANY

DNH GmbH

Phone... + 49 040 6569 30-0

Fax..... + 49 040 6569 30-30

E-mail..... dnh@dnh.de

USA

DNH Speakers Inc

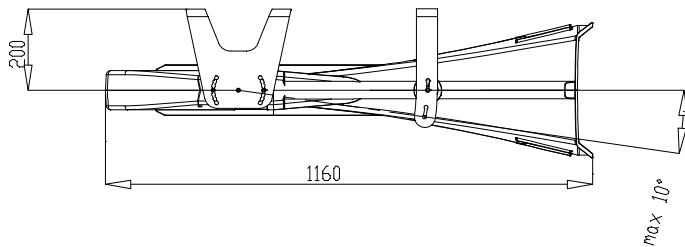
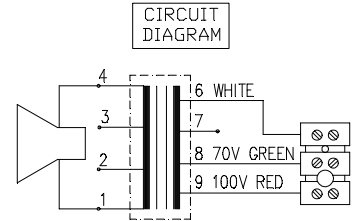
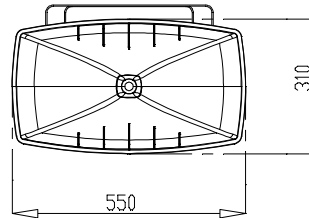
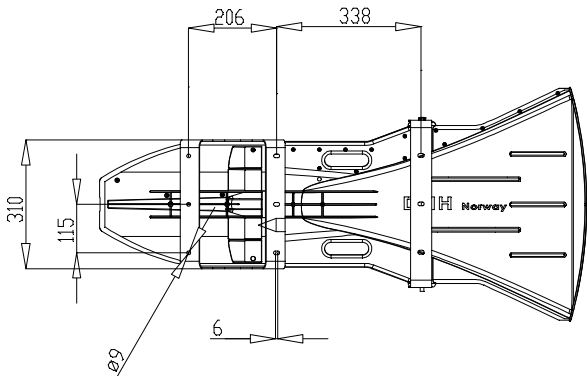
Phone..... + 1 484 494 5790

Fax..... + 1 484 494 5793

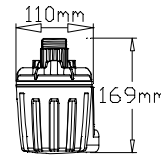
E-mail..... dnh@dnhspeakers.com

ISO 9001 CERTIFIED

TUNNEL-500 / DUP-40(T)



DUP-40



| Secondary nominal tapings | |
|---------------------------|-------|
| 1 : 4 | 40 W |
| 1 : 3 | 23 W |
| 2 : 4 | 15 W |
| 1 : 2 | 12 W |
| 3 : 4 | 6,0 W |
| 2 : 3 | 3,0 W |

Sound pressure levels at 1W/1m TUNNEL500/DUP-40

SPL vs Freq



Specifications

| | |
|-------------------------------|---------------------------------|
| Material / Color | Plastic V0 Halogen free / Black |
| Mounting | 2 brackets |
| Brackets material | V4A/A4/316 |
| Termination | Inside ceramic terminal |
| Weight | 13 Kg |
| IP-rating with DUP-40 | 67 |
| Max. / min. amb. temp | 90 °C / -40 °C |
| Rated / max. power | 40 W / 60 W |
| SPL 1W/1m | 113 dB |
| SPL rated power | 127 dB |
| Effective freq. range | 450 – 6500 Hz |
| Dispersion (-6dB) 1kHz / 4kHz | 40° / 35° |
| Options | Impedances, colors, labels |

Installation, Operation and Maintenance Procedures

- TUNNEL-500 with DUP-40 is designed to be very directional and therefore excellent for tunnel applications.
- When using the DUP-40 driver use enclosed gasket. Screw driver unit into TUNNEL – 500 until the driver is in contact with the gasket, then continue screwing the driver for 180° to 270°. UNEF 1 3/8 -18 thread.
- Remove lid, lead cable through cable gland, connect to terminal and choose required power on transformer.
- Screw lid back into place 2 – 3 Nm.
- Fasten brackets and choose wanted angle of loudspeaker.
- To change the position of the loudspeaker please adjusts the brackets (by loosening / tightening the screws) as required.
- For optimum performance, always use the correct voltage / power and operate within the frequency limits as stated.
- Do not open loudspeaker when energized.
- This loudspeaker is supplied with a two years warranty against defective workmanship.

DNH reserves the right to alter specifications without notice

